



**D 600 AP**  
**D 600 APG**  
**D 1000 AP**  
**D 1000 APG**



[www.ausa.com](http://www.ausa.com)

**AUSA Center, S.L.**  
 Ctra. de Vic Km 2.8  
 08243 Manresa  
 BARCELONA (ESPAÑA)  
 Tel.: +34 93 874 73 11  
 E-mail: [ausa@ausa.com](mailto:ausa@ausa.com)  
[www.ausa.com](http://www.ausa.com)



**AUSA Madrid** Pol. Ind. Coslada - C. Marconi 15-17, 28823 Coslada - MADRID (ESPAÑA) - Tel.: +34 91 669 00 06 - E-mail: [ausa.madrid@ausa.com](mailto:ausa.madrid@ausa.com)  
**AUSA France** Z.I. Saint Charles - Rue de Zürich, 66000 PERPIGNAN (FRANCE) - Tel.: +33 (0) 4 68 54 38 97 - E-mail: [ausa.france@ausa.com](mailto:ausa.france@ausa.com)  
**AUSA Deutschland** Tel.: +49 (0) 2384 9889905 - E-mail: [ausa.deutschland@ausa.com](mailto:ausa.deutschland@ausa.com)  
**AUSA UK** Tel.: +44 (0) 7970639988 - E-mail: [ausa.uk@ausa.com](mailto:ausa.uk@ausa.com)  
**AUSA Brasil** Avenida Belizario Ramos 2276 - Lages - SC, 88506-000 (BRASIL) - Tel.: +55 11 9 8786 6014 - E-mail: [ausa.brasil@ausa.com](mailto:ausa.brasil@ausa.com)  
**AUSAMéxico** Calzada Vallejo 725 Del. Gustavo A. Madero - 07750 México D.F. (MÉXICO) - Tel.: +52 (55) 2166 9276 - E-mail: [ausa.mexico@ausa.com](mailto:ausa.mexico@ausa.com)  
**AUSA U.S. CORP.** Tel.: +1 (917) 328 0770 - E-mail: [ausa.us@ausa.com](mailto:ausa.us@ausa.com)  
**AUSA Beijing Rep. Office** Room 403, Moma Building, N.199 - Chaoyang bei road, Chaoyang District - 100026 BEIJING (CHINA)  
 Tel.: +86 10 8598 7386 - E-mail: [ausa.china@ausa.com](mailto:ausa.china@ausa.com)

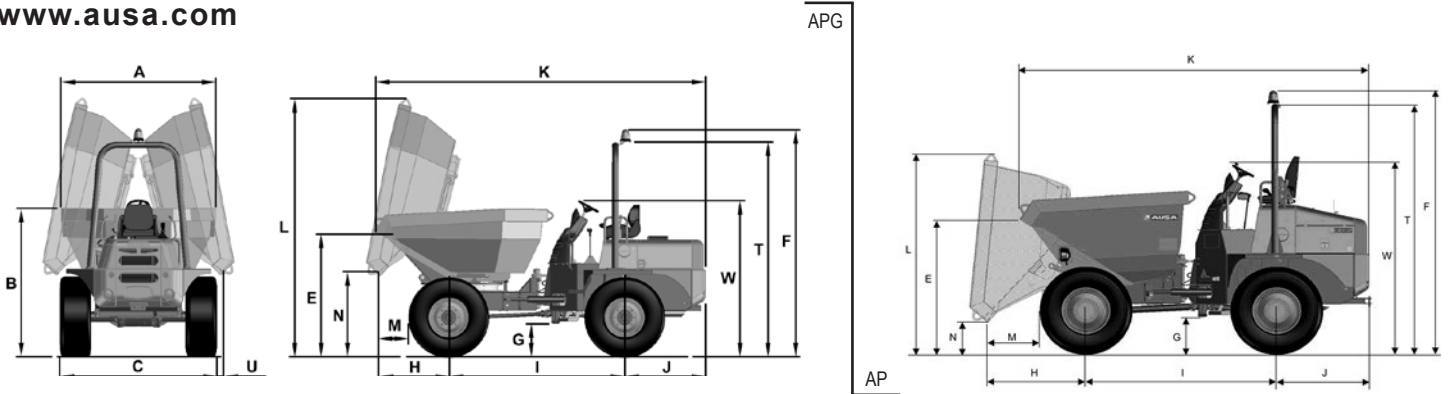
**D 600 AP\_6000 Kg**  
**D 600 APG\_6000 Kg**  
**D 1000 AP\_10000 Kg**  
**D 1000 APG\_10000 Kg**



www.ausa.com

DIMENSIONS mm	D 600 AP	D 600 APG	D 1000 AP	D 1000 APG
A	2295	2150	2480	2480
B	1960	2070	2380	2385
C	2190	2190	2440	2440
E	1730	1790	1820	1950
F	3180	3180	3560	3560
G	475	475	490	490
H	1210	970	1260	980
I	2450	2450	2450	2450
J	1125	1125	1220	1220
K	4465	4615	4520	4740
L	2680	3600	2710	3820
M	650	415	665	380
N	455	1200	430	1100
T	3000	3000 / 2850 (*)	3375 / 3220 (*)	3375 / 3220 (*)
U	-	90	-	110
W	2190	2190	2550	2550

(\*) Closed cabin



**TECHNICAL SPECIFICATIONS**

	D 600 AP	D 600 APG	D 1000 AP	D 1000 APG
<b>Load capacity (Kg)</b>	6000		10000	
<b>Unloading system</b>	Hydraulic, frontal	Hydraulic, 180° side rotating	Hydraulic, frontal	Hydraulic, 180° side rotating
<b>Chassis</b>	Articulated and oscillating			
<b>Hopper capacities</b>	Water Levelled Heaped	1950 2650 3290	1565 2360 3130	2440 3750 5225
<b>Engine</b> Stage IIIB / Tier 4 Int.	Diesel KUBOTA V-3800-CR-TE4 with Diesel Particulate Filter and Diesel Oxidation Catalyst (DPF and DOC) - "Plus" Version		Diesel KUBOTA V3800-CR-TIE4 with Diesel Particulate Filter and Diesel Oxidation Catalyst (DPF and DOC)	
	Power (KW/HP)	85 / 114		85 / 114
	N° of Cylinders	4		4
	Cooling system	Water		Water
<b>Engine</b> Stage III B / Tier 4	Diesel DEUTZ TD3.6 with Diesel Oxidation Catalyst			
	Power (KW/HP)	55,4 / 74		
	N° of Cylinders	4		
	Cooling system	Water		
<b>Engine</b> Non-EU EMISSION Stage IIIA / Tier 3	Diesel KUBOTA V3600T		Diesel KUBOTA V3800T	
	Power (KW/HP)	63 / 86	72.8 / 99	
	N° of Cylinders	4	4	
	Cooling system	Water	Water	
<b>Traction</b>	4 x 4 permanent			
<b>Transmission</b>	Torque converter with synchronized gear box. 4 ratios forwards and 4 ratios backwards by means of an electro-hydraulic device. Axles with planetary reduction on differential output			
<b>Engine starting system</b>	Electric			
<b>Speed (max.) (km/h)</b>	34		38	
<b>Unladen weight (Kg)</b>	4200	4380	4760	4990
<b>Gradeability</b>	60%			
<b>Hydraulic circuit</b>	Gear pump of 25 cc. Working pressure 180 bar			
<b>Tyres</b>	Front Rear	405/70-20" (14 PR) 405/70-20" (14 PR)	500/60-22,5" (16PR") 500/60-22,5" (16PR")	
<b>External turning radius (mm)</b>	5700		5950	
<b>Steering</b>	Hydraulic. Working pressure 115 bar			
<b>Tank capacity (l)</b>	Carburant (l) Hydraulicque	65	70	
<b>Service brake</b>	Oil-immersed, multidisc, hydraulically operated			
<b>Parking brake</b>	Oil-immersed, multidisc, mechanically operated			
<b>STANDARD EQUIPMENT</b>	Ergonomic seat with safety belt Anti vandal system Audible reverse warning Rotating beacon Foldable ROPS arch			
<b>OPTIONAL EQUIPMENT</b>	Closed cabin with heating Air conditioning Homologated lighting equipment Towing hitch Stop emergency Full visibility System with front and rear camera and 7" TFT water-proof color display Limited slip differential with negative parking brake Homologated ROPS/FOPS driver protective roof (with and without sun protector)			