

APR 2620

REVERSIBLE VIBRATORY PLATE



AN ALL-AROUND PERFORMER

The APR 2620 offers you multiple options with available working widths of 38 cm or 50 cm. This all-around machine performs in varied applications and on varied surfaces, plus it offers an optional water sprinkler system for work on asphalt. The APR 2620 has the ability to move back and forth and provide “on-the-spot” vibration for particularly stubborn materials. Permanently mounted transport wheels are another productivity-boosting option offered.

INNOVATIVE HANDLE

- The low vibration handle reduce stress on the operator.
- Round handle for optimized grip for all individual operator
- Opening in handle prevents the machine from getting damaged by lifting on unsuitable positions

MAKES THE GRADE

- Overcomes grades between 30 % and 35 %.

READY TO RENT

- Low-cost upkeep.
- Good match for many applications.
- Easy for new users to operate.

TWIN-SHAFT EXCITER UNIT

- Shaft positioning enables the operator to easily change directions.
- Smooth variable hydrostatic unit allows machine to move easily in forward and reverse.
- “On-the-spot” vibration can be utilised in particularly challenging areas.

DURABLE

- Well-protected, robust centrifugal clutch with wear-resistant V belt.
- Service-friendly exciter unit with long lifetime.
- Wear-resistant, self-cleaning base plate.
- Sturdy protection frame with central lifting point.

APPLICATIONS

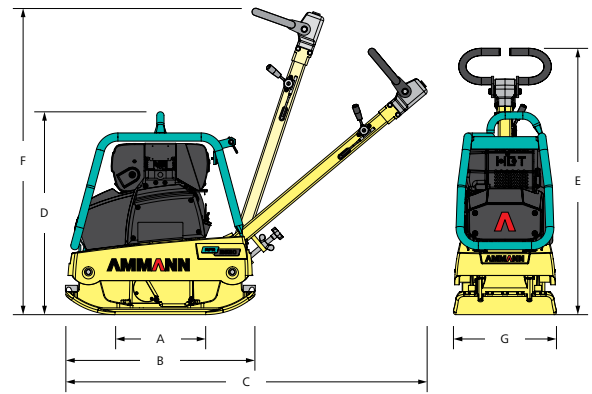
- Earthwork and paving applications
- Road and rail track construction
- Compaction work in narrow trenches, confined areas
- Landscape and gardening
- Foundation work
- Sensitive surfaces (with optional rubber mats for stone protection)

AMMANN

TECHNICAL SPECIFICATIONS
APR 2620 REVERSIBLE VIBRATORY PLATE

WEIGHT & DIMENSIONS

MACHINE WEIGHT	130/135 kg (287/298 lb)
A BASE PLATE LENGTH	330 mm (13.0 in)
B MACHINE LENGTH	700 mm (27.6 in)
C WITH HANDLE	1140 mm (44.9 in)
D MACHINE HEIGHT	740 mm (29.1 in)
E HANDLE HEIGHT (WORK)	1000 mm (40 in)
F HANDLE HEIGHT (TRANSPORT)	1180 mm (46.5 in)
G MACHINE WIDTH	380/500 mm (15.9/19.7 in)



ENGINE

ENGINE	Hatz 1 B 20
FUEL	Diesel
ENGINE OUTPUT	4.2 HP / 3.1 kW
AT RPM	3000
FUEL CONSUMPTION	0.9 l/h (0.2 gal/h)

COMPACTION FORCES

MAX. VIBRATION FREQUENCY	95 Hz (5700 vpm)
MAX. CENTRIFUGAL FORCE	24 kN (5.4 lfb)
WORKING SURFACE	550 m ² /h (5705 ft ² /h)
WITH EXTENSION PLATES	630 m ² /h (6781 ft ² /h)
MAX. COMPACTION DEPTH (DEPENDENT ON GROUND CONDITIONS)	30/25 cm (11.8/9.8 in)

MISCELLANEOUS

SPEED	0–23/21 m/min (0.9/0.8 mph)
FUEL TANK	3 l (0.7 gal)
WATER TANK	7.5 l (2.1 gal)
GRADEABILITY	35 %
MAX. INCLINE TO ALL SIDES	30 °



STANDARD EQUIPMENT

- Sturdy protection frame with central lifting point
- Powerful and reliable diesel engine
- 2-shaft exciter with long service intervals
- Well protected, sturdy centrifugal clutch with wear resistant V-Belt
- 3 year extended warranty program

OPTIONAL EQUIPMENT

- Transport wheels
- Vulcollan mat for applications on paving stones
- Hour meter
- 8 l Water tank and sprinkler system for application on bituminous surfaces (Diesel engine)
- 500 mm base plate